

CO₂

2605C

-
-
-
-

RS232/485

-

5



Analytical Systems International (ASI)

CO₂

CO₂

10

1.5

RS232.

4-20

4-20

3

RS-232/485

(. .)

```
00/00/00 00:00:00 . : 01
: 00/00/00 00:00
00/00/00 00:00:00 .
00/00/00 00:00:00 .
00/00/00 00:00:00 3 0.1 PPM
00/00/00 00:00:00 2 0.1 PPM
00/00/00 00:00:00 1 0.1 PPM
00/00/00 00:00:00
00/00/00 00:00:00
00/00/00 00:00:00
00/00/00 00:00:00 2 13.7 PPM
00/00/00 00:00:00 1 13.7 PPM
00/00/00 00:00:00 Def. Sens Cal
00/00/00 00:00:00 4-20mA
00/00/00 00:00:00 1 1.8 PPM
00/00/00 00:00:00 2 3.9 PPM
00/00/00 00:00:00
```



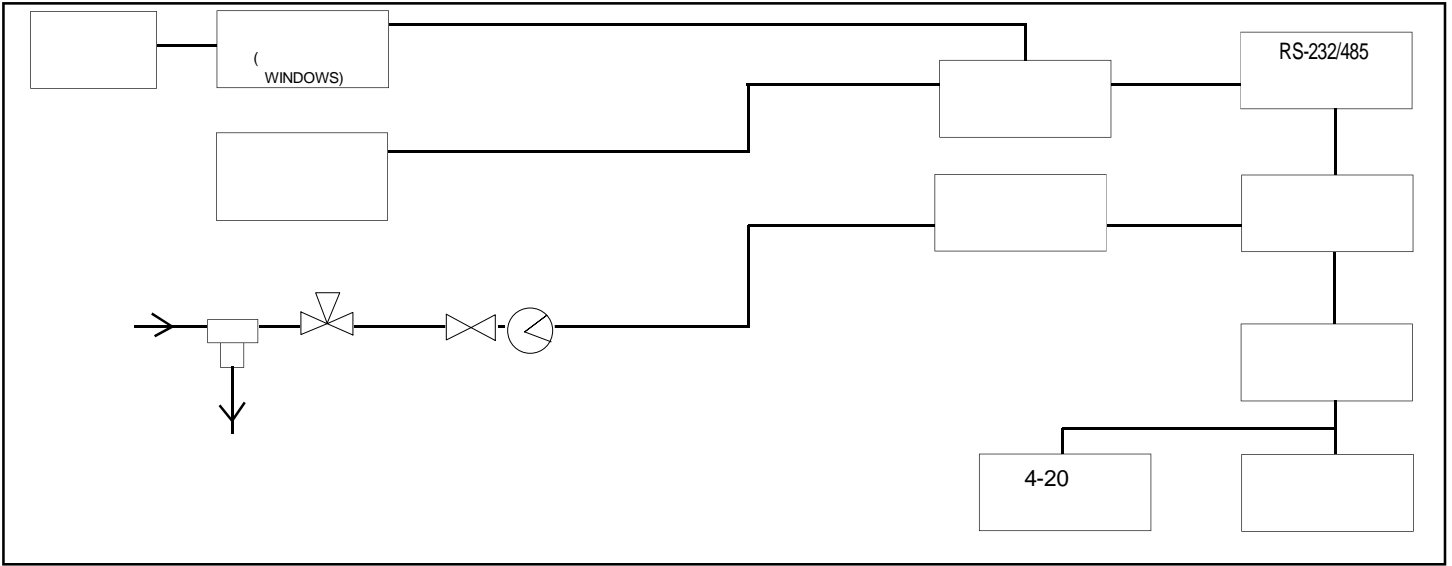
Analytical Systems Int'l/KECO R&D

(281) 516-3950 *

(281) 351-8925 * www.ASIWebPage.com *

CustomerService@ASIWebPage.com

Sales@ASIWebPage.com



232, , , , 4-20 RS- , 4 1
 , , , , 4
 , 200 (. . 1)
 2
 . (. .)

2605C

: ppm 100% C₂O
 : + 2% 4-20 @ 350
 : 30
 18 24
 110 60
 (220) I, I II
 : .2 ppm
 4-20 DC IE 300 0-100%
 50 : 3
 225 hr/avg, : 10 ,250
 500 4 4
 / / 0°C 50°C (32°F 122°F)
 :
 32K : 25" x 20" x 7"
 :
 24" x 36" x 10"

Analytical Systems International

ASI www.ASIWebPage.com

(281) 516-3950 * (281) 351-8925 * www.ASIWebPage.com
Sales@ASIWebpage.com * CustomerService@ASIWebpage.com